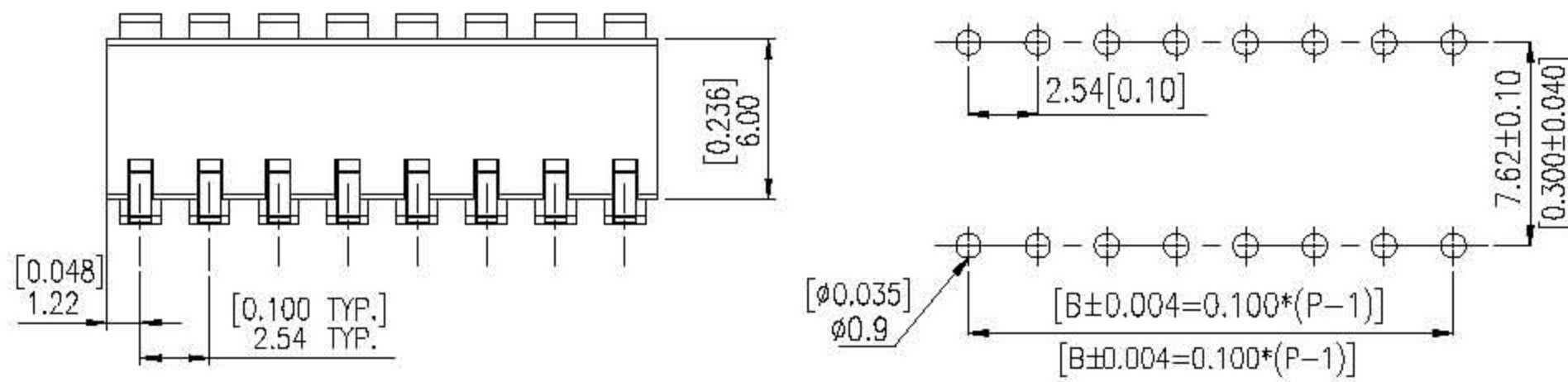


# EPI & EPM SERIES



## DIMENSIONS

### EPI(R)-V



P.C.B. LAYOUT

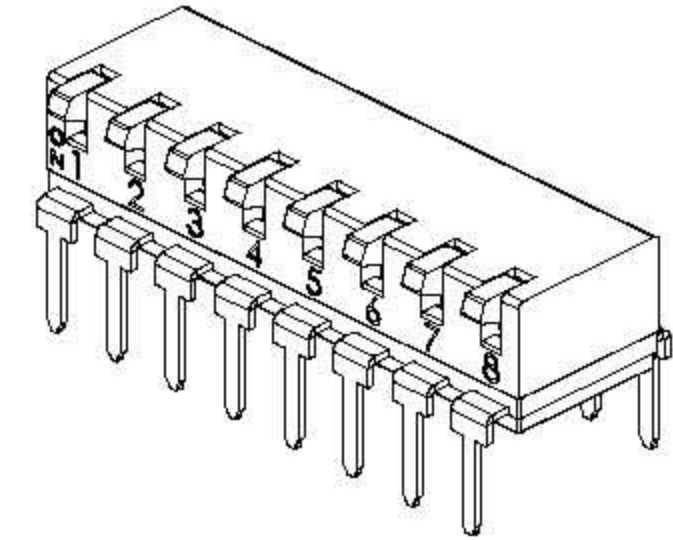
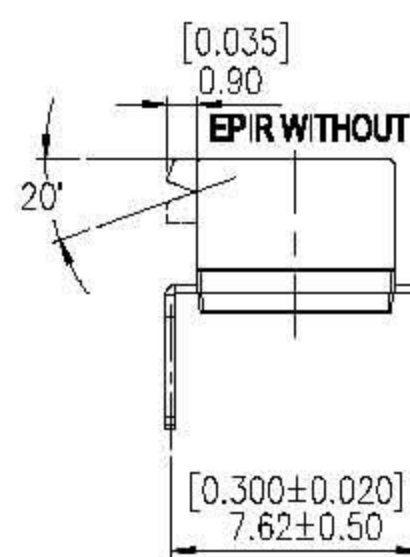
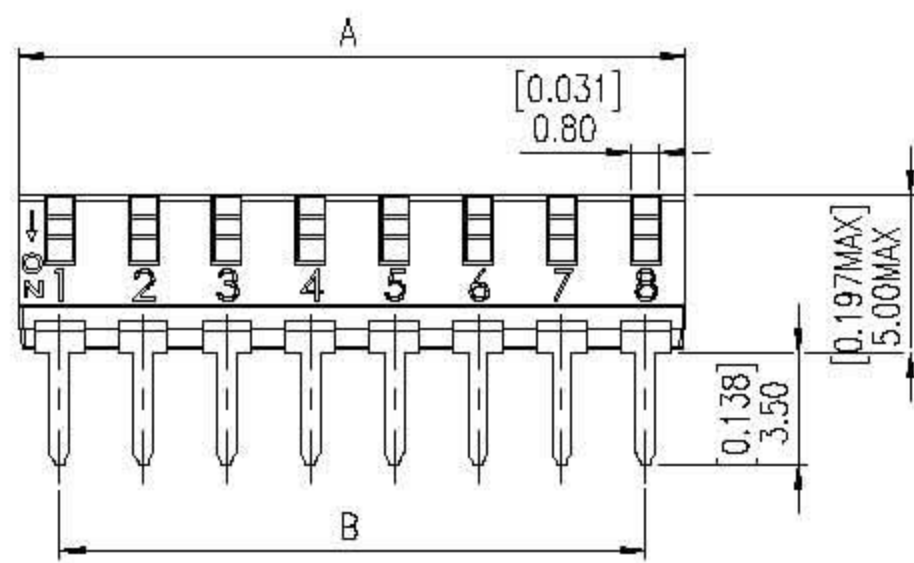
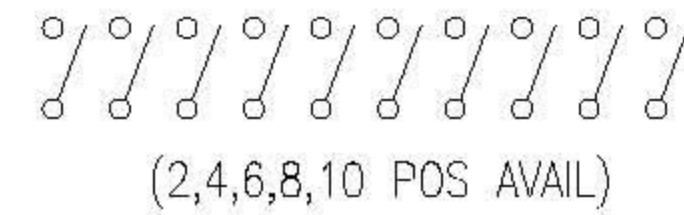


Table 1

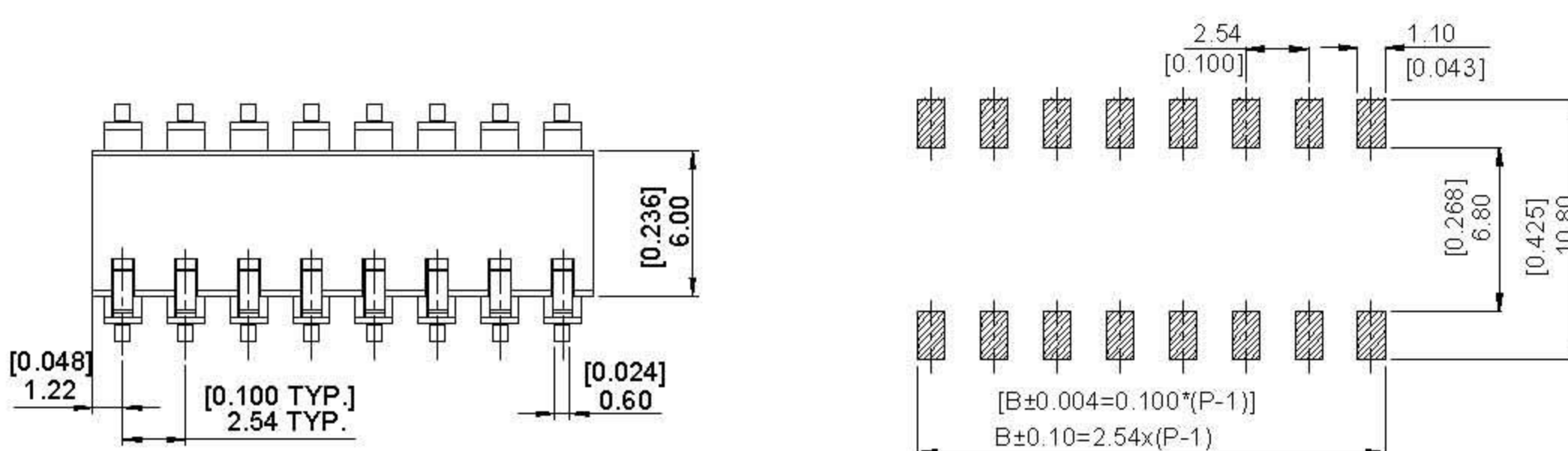
EPI(R)-10-V	10	25.30[.996]	22.88[.900]
EPI(R)-08-V	8	20.22[.796]	17.78[.700]
EPI(R)-06-V	6	15.14[.596]	12.70[.500]
EPI(R)-04-V	4	10.06[.396]	7.62[.300]
EPI(R)-02-V	2	4.98[.196]	2.54[.100]
PROD. NO.	NO. OF POS.	DIM. A	DIM. B

SCHEMATIC(TYP.)



General Tolerance : ±0.2mm

### EPM(R)-V



P.C.B. LAYOUT

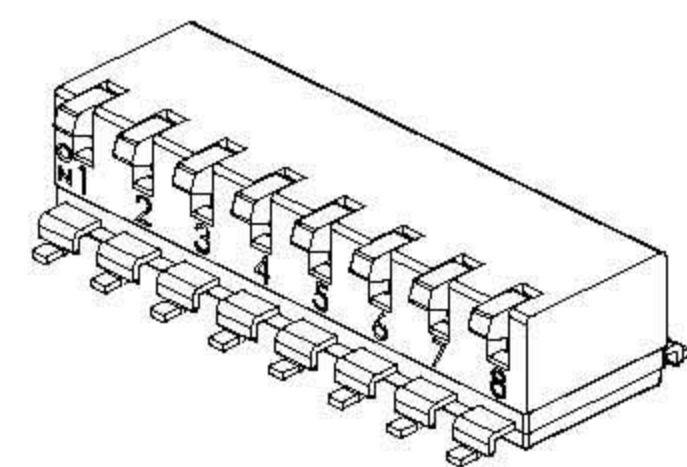
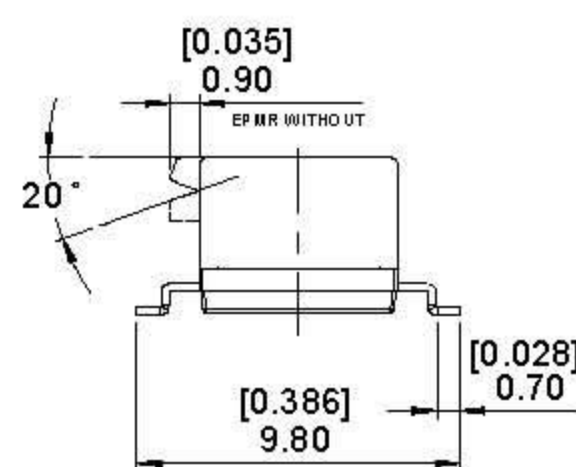
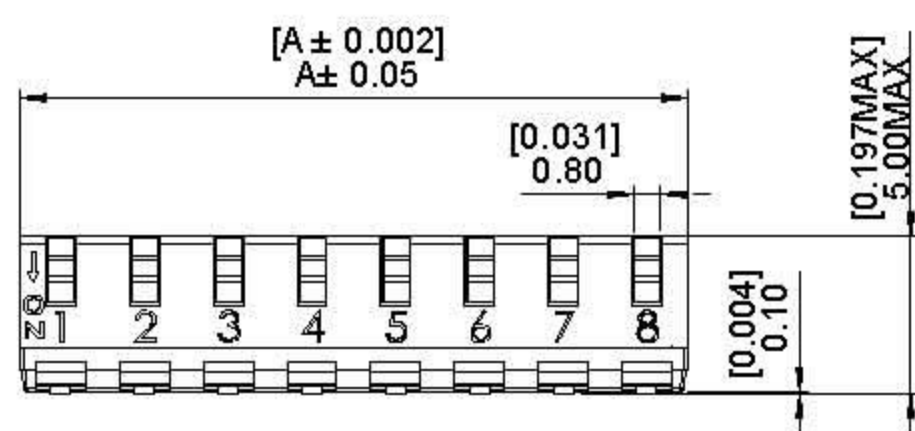
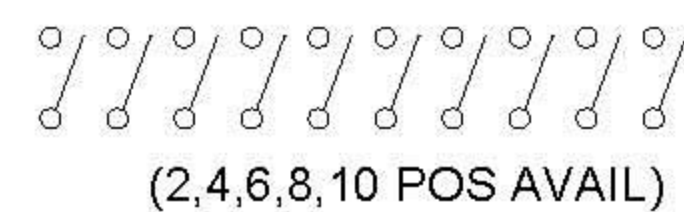


Table 1

EPM(R)-10-V	10	25.30[.996]	22.86[.900]
EPM(R)-08-V	8	20.22[.796]	17.78[.700]
EPM(R)-06-V	6	15.14[.596]	12.70[.500]
EPM(R)-04-V	4	10.06[.400]	7.62[.300]
EPM(R)-02-V	2	4.98[.196]	2.54[.100]
PROD. NO.	NO. OF POS.	DIM. A	DIM. B

SCHEMATIC(TYP.)



General Tolerance : ±0.2mm

## HOW TO ORDER

EP   -    - V -

Package Style:

- =Tube
- △T/R=Tape & Reel
- <△Only S.M.T>

Soldering:

- V=Lead Free Solderable

F=Push Down OFF

- =Push Down ON

Number Of Positions:

- 02,04,06,08,10 Positions.

Actuator Type:

- =Long Actuator
- R=Short Actuator

Terminal Type:

- I=Through Hole Type
- M=SMT Type

End-Stackable Piano Type Dip Switch

## SPECIFICATION

### △MECHANICAL

- Operation Force: 800gf max.
- Operation Temperature Range: -20°C to +85°C.
- Storage Temperature Range: -40°C to +85°C.
- Mechanical Life: 2,000 cycles.

### △ELECTRICAL

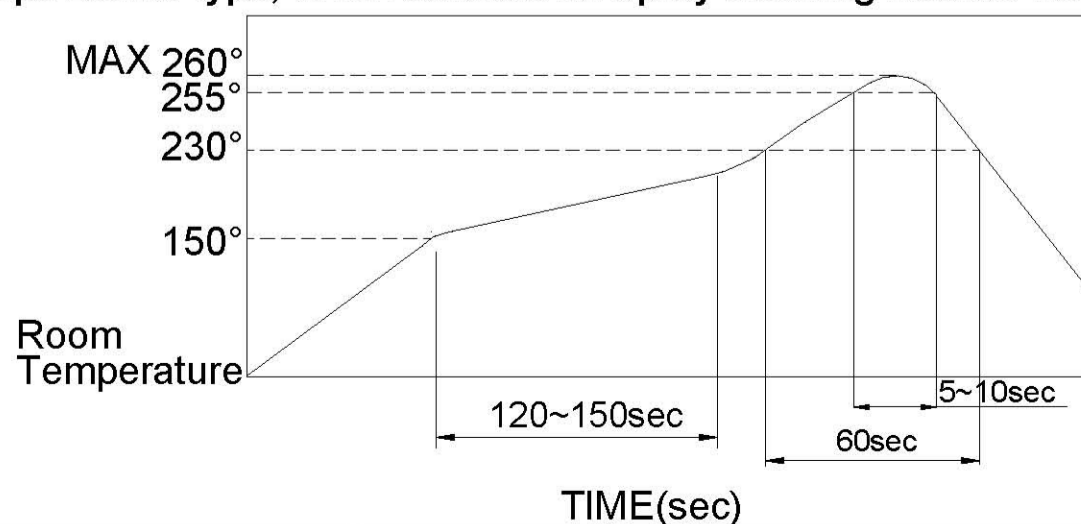
- Electrical Life: 2,000 cycles.
- Rating: 25mA,24VDC
- Contact Resistance: 100mΩ max, at 500 VDC.
- Insulation Resistance: 100MΩ max, at 500 VDC.
- Dielectric Strength: 500VAC / 1 minute.
- Circuit: Single pole single throw.

## MATERIAL

- △COVER: UL94V-0 Nylon High-Temp Thermoplastic.  
Color: Black
- △BASE: UL94V-0 Nylon High-Temp Thermoplastic.  
Color: Black
- △STEM: UL94V-0 Nylon High-Temp Thermoplastic.  
Color: White
- △CONTACT: Alloy Copper with gold cladding.
- △TERMINAL : Brass with gold cladding.

## SOLDERING PROCESS

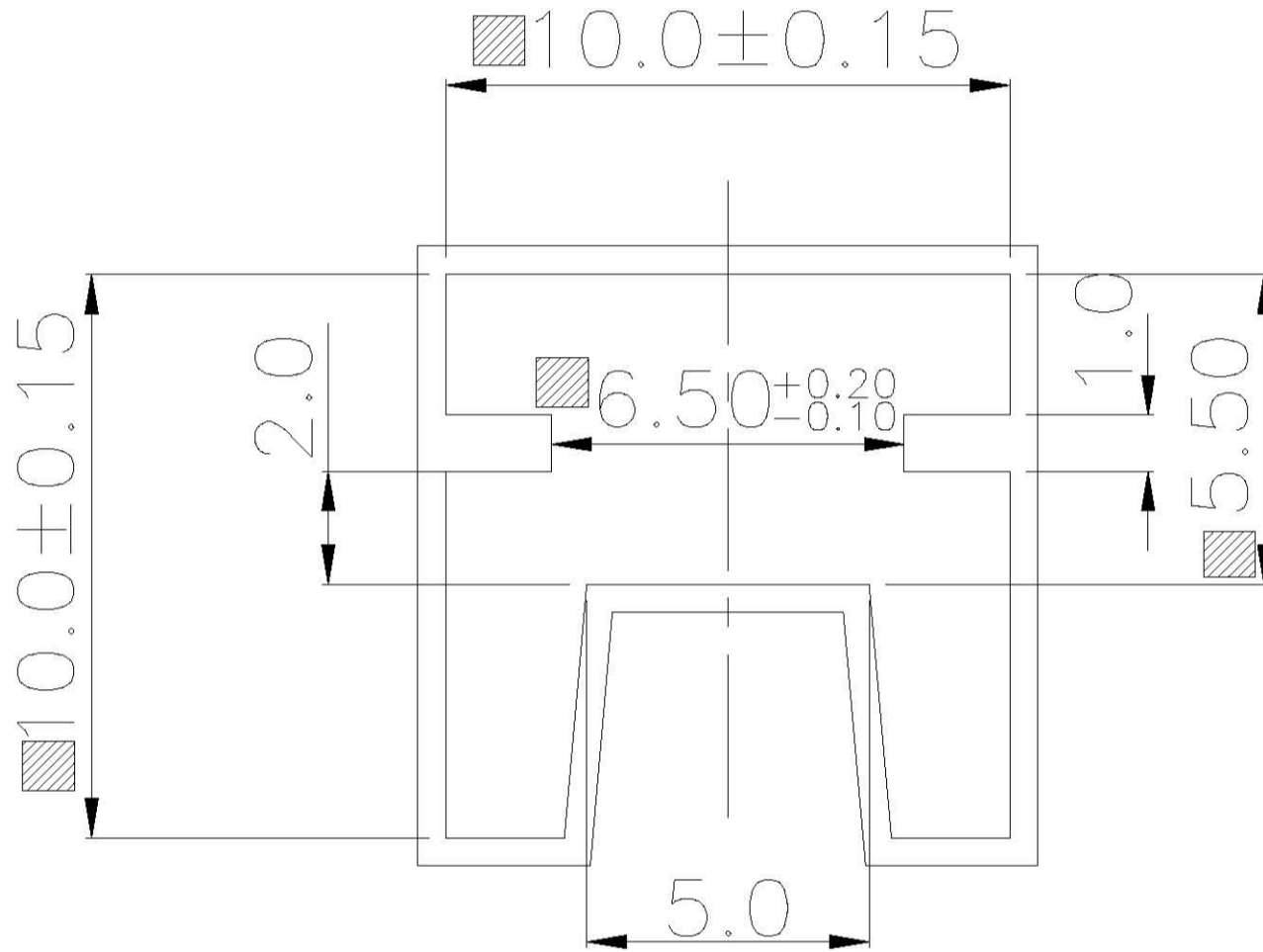
- △WAVE SOLDERING: Recommended solder temperature at 500°F(260°C) max. of 5 seconds for through hole type.
- △HAND SOLDERING: Use a soldering iron of 30 watts, controlled at 350°C approximately max 5 seconds while applying.
- △REFLOW SOLDERING: When applying reflow soldering, the peak temperature or the reflow Oven should be set at 260°C max.
- △Do not wash the switch except top tape sealed type, which suitable for spray cleaning method from top of the s/w.
- △Reflow Temperature Profile:



# PACKING

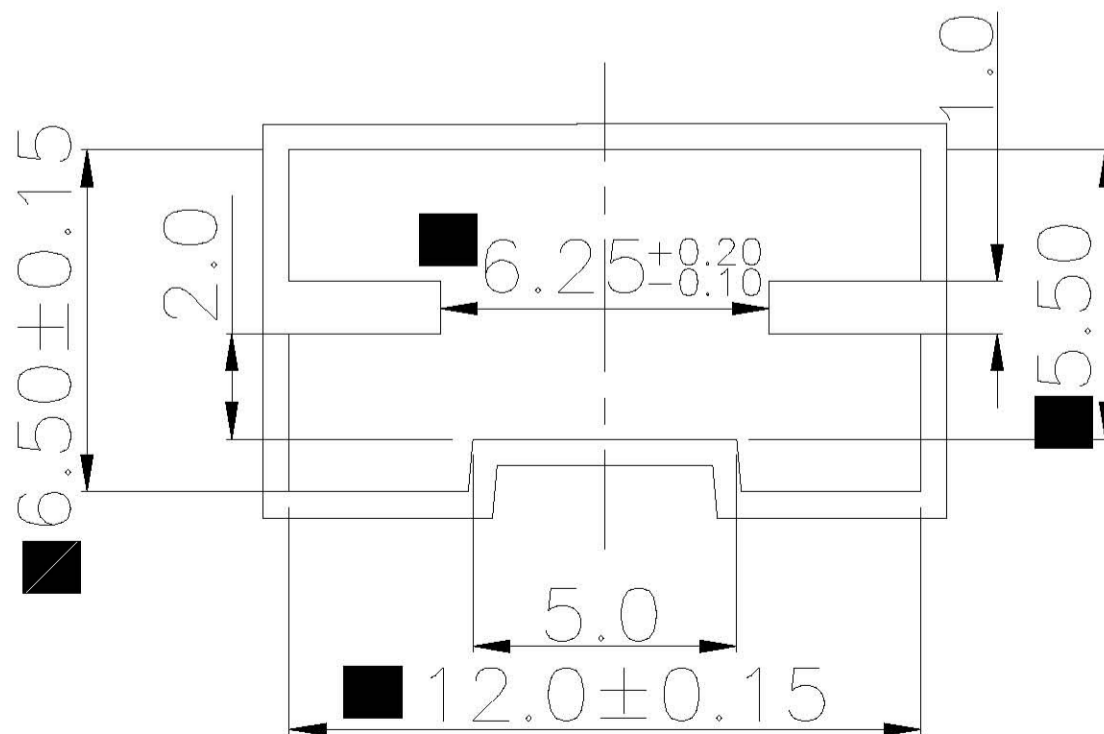
Part Number	Number Per TUBE	Number Per Reel
EPI(R) 、 EPM(R)-02	95	-
EPI(R) 、 EPM(R)-04	47	-
EPI(R) 、 EPM(R)-06	31	-
EPI(R) 、 EPM(R)-08	23	-
EPI(R) 、 EPM(R)-10	18	-
EPM(R)-02.04 06.08 10		700

## EPI TUBE



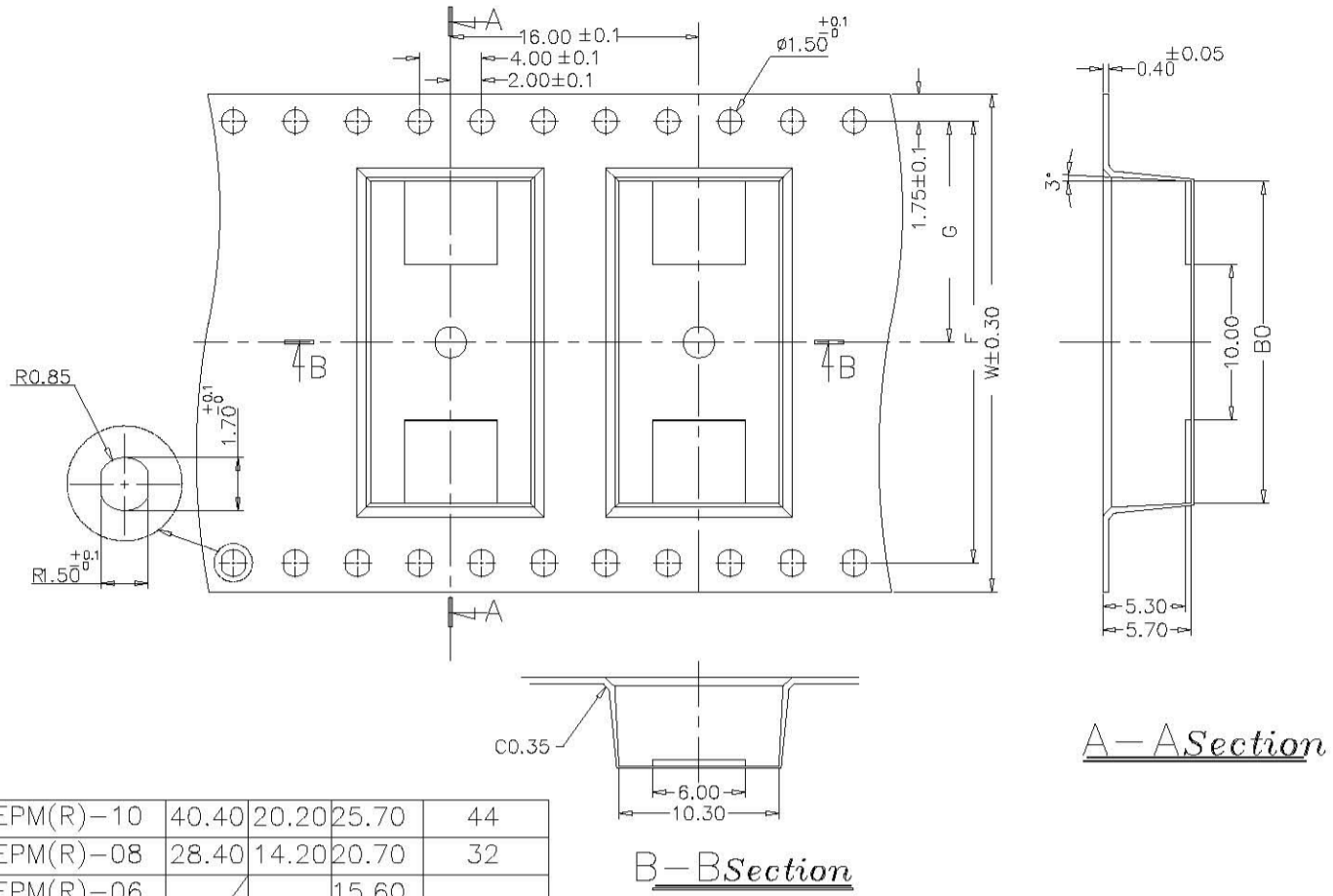
General Tolerance :  $\pm 0.2$ mm

## EPM TUBE



General Tolerance :  $\pm 0.2$ mm

**EPM REEL**



6262A0000	EPM(R)-10	40.40	20.20	25.70	44
626280000	EPM(R)-08	28.40	14.20	20.70	32
626260000	EPM(R)-06		11.50	15.60	24
626240000	EPM(R)-04			10.50	
626220000	EPM(R)-02			7.50	
PART NO:	PART NAME:	F	G	B0	$W \pm 0.3$

General Tolerance :  $\pm 0.1\text{mm}$